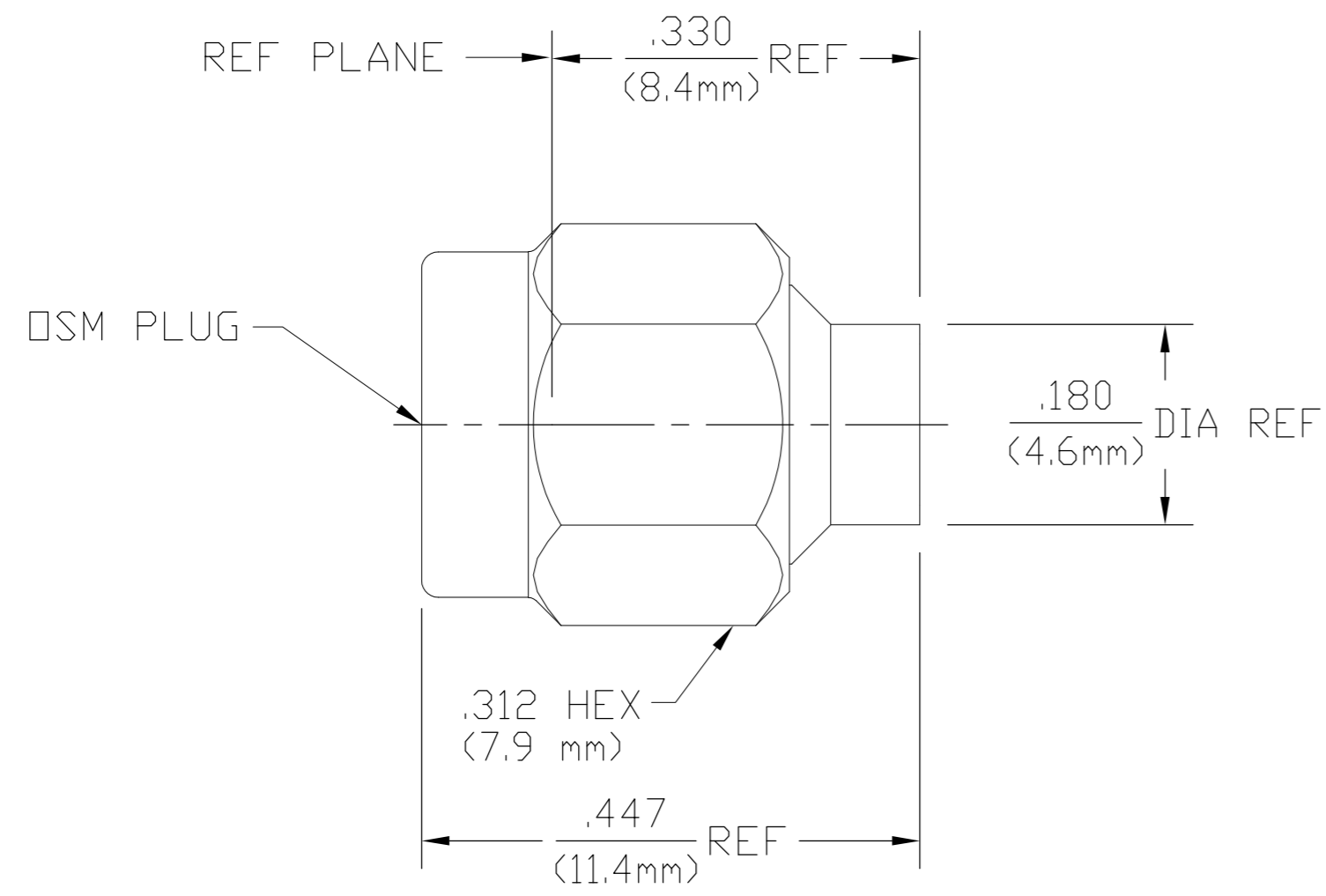


THIS DRAWING IS UNPUBLISHED. RELEASED FOR PUBLICATION  
 © COPYRIGHT BY TYCO ELECTRONICS CORPORATION. ALL RIGHTS RESERVED.

DESIGNED FOR USE WITH  
 .141 DIA S.R. CABLE  
 CABLE ENTRY DIAMETER  
 MINIMUM  
 HOUSING .144

REVISIONS				DATE	DWN	APVD
P	LTR	DESCRIPTION				
A2		REV PER ECO 08-001195	29JAN2008	DW	BW	



⚠ PART NUMBER IS CONTROLLED BY  
 PRODUCT INFORMATION MANAGEMENT  
 SPECIFICATION 126-1018

⚠	1050541-2
	1050541-1
	PART NUMBERS

ELECTRICAL	MECHANICAL	ENVIRONMENTAL
Nominal Impedance (Ohms) 50	Interface Dimensions MIL-STD-348A, Fig. 310.3	TEMPERATURE RATING -65°C TO 105°C
Frequency Range (GHz) DC to 18.0	Recommended Mating Torque 7 to 10 in-LBs	Vibration MIL-STD-202, Method 204, Condition D
Volt Rating (VRMS MAX) @ Sea Level 335	Mating Characteristics:	Shock MIL-STD-202, Method 213, Condition I
VSWR 1.02 + .005f(GHz)	Insertion (MAX Lbs) N/A	Thermal Shock MIL-STD-202, Method 107, Condition B, EXCEPT HIGH TEMP 115°C
Insertion Loss (dB MAX) .03 √f(GHz)	Withdrawal (MIN Oz) N/A	Moisture Resistance MIL-STD-202, Method 106, No Measurement At High Humidity
RF Leakage (dB MIN) -(90-f(GHz))	Force to Engage and Disengage (In/Lbs MAX) 2.0	Corrosion - MIL-STD-202, Method 101, Condition B, 5% salt spray
Corona, 70,000 Ft (VRMS MIN) 250	Center Contact Captivation Axial (Lbs) N/A	
Dielectric Withstanding Voltage (VRMS MIN) @ Sea Level N/A	Radial (In/Oz) N/A	
Contact Resistance (Milliohms MAX) Center Contact N/A	Cable Retention Axial Force (Lbs) 60 MIN	
Outer Contact 2.0	Torque (In/Oz) 55	
Cable to Housing 0.5	Weight (Grams) T.B.D.	
RF High Potential @ Sea Level (VRMS MIN @ 5 MHz) 670		
I.R.(Megohms MIN) 10,000		

COMPONENT	MATERIAL	FINISH
HOUSING COUPLING NUT	STAINLESS STEEL PER ASTM-A484 AND ASTM-A582, TYPE 303	GOLD PLATE PER MIL-G-45204 OVER NICKEL PLATE PER QQ-N-290
RETAINING RING	BERYLLIUM COPPER PER ASTM B 194, ALLOY C17200, CONDITION H	N/A
GASKET	SILICONE RUBBER PER ZZ-R-765	N/A

THIS DRAWING IS A CONTROLLED DOCUMENT.		DWN JPD 9/2/76	Tyco Electronics Tyco Electronics Corporation Harrisburg, PA 17105-3608	
DIMENSIONS: INCHES		CHK ECA 2/17/77	NAME SMA STRAIGHT CABLE PLUG DIRECT SOLDER ATTACHMENT (2001-5031-00)	
TOLERANCES UNLESS OTHERWISE SPECIFIED:		APVD PD 2/18/77	SIZE A2 CAGE CODE 00779 DRAWING NO C=1050541 RESTRICTED TO	
0 PLC ± -		PRODUCT SPEC -	SCALE 5:1 SHEET 1 of 1 REV A2	
1 PLC ± -		APPLICATION SPEC -		
2 PLC ± -		WEIGHT -		
3 PLC ± .005		CUSTOMER DRAWING		
4 PLC ± -				
ANGLES ± 1°				
FINISH -				

1050541

A